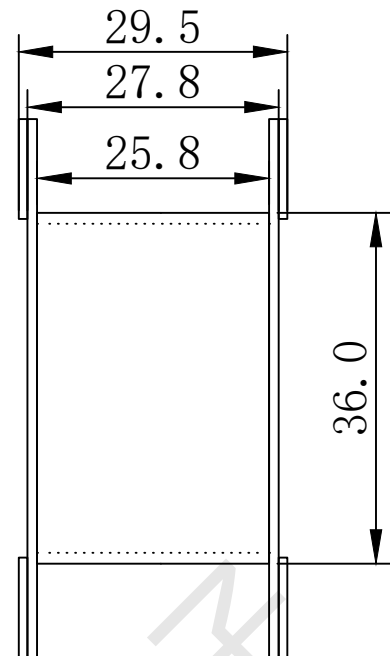
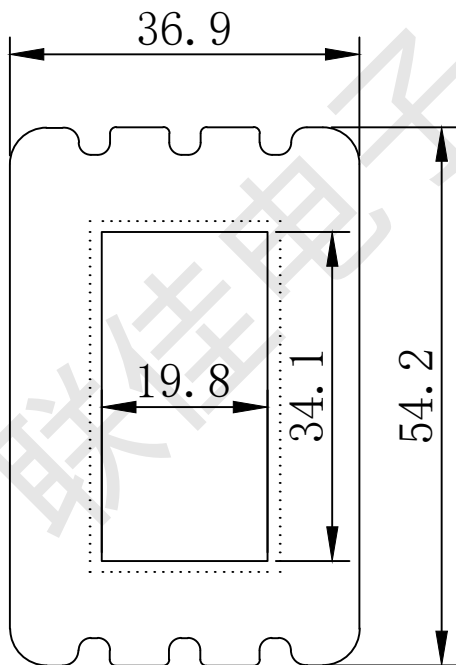
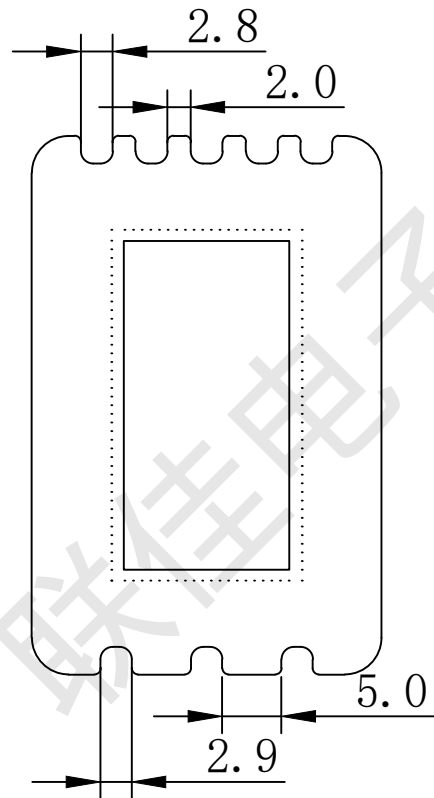
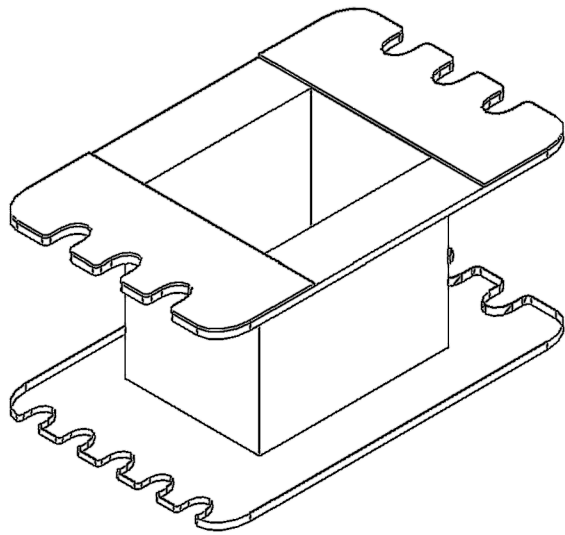


东莞市联佳电子塑胶制品有限公司

TEL:0769-6639029

FAX:0769-6639039



编号: 25735G01

BOBBIN SIZE: EI-57×35 工字

MATERIAL: PA66

UL REC: UL94V-2

SCALE:

UNIT: mm

DRAWING:

TDLERANCE UNLESS OTHERWISE STATED

| | |
|------------------|-----------|
| $0 < L \leq 4$ | ± 0.1 |
| $4 < L \leq 16$ | ± 0.2 |
| $16 < L \leq 63$ | ± 0.3 |

CHECK

DRAW

REV: 01

DRTE: