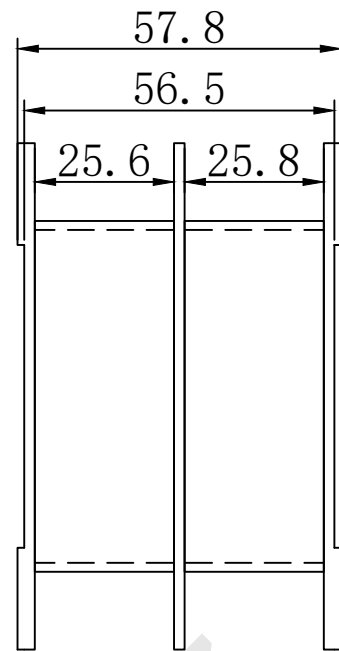
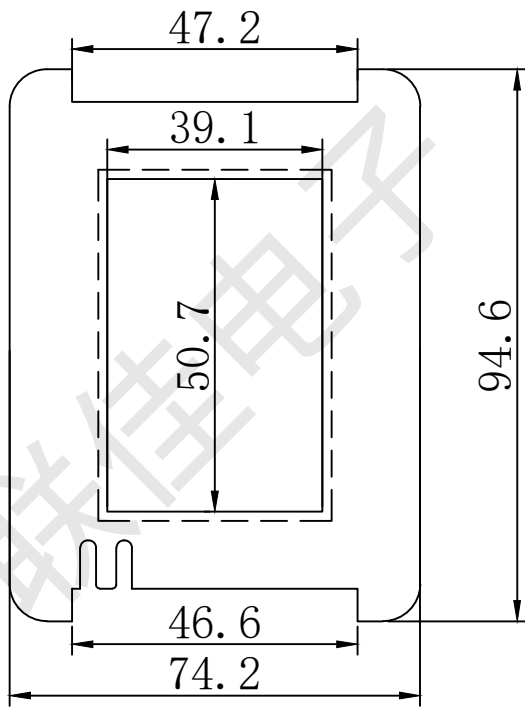
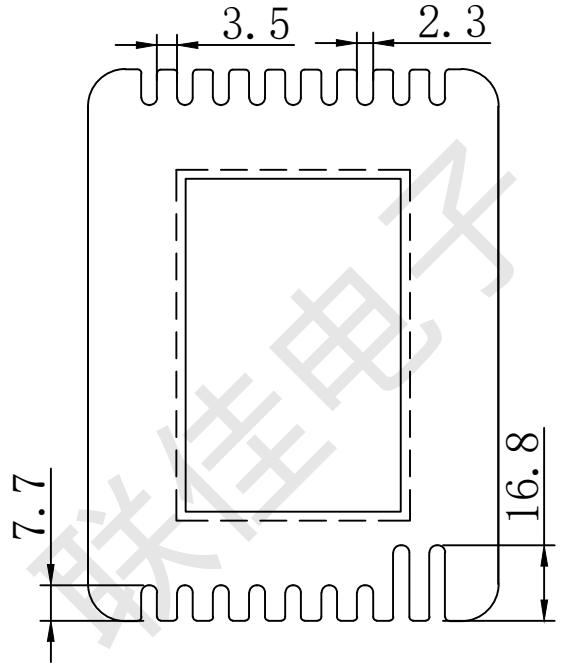
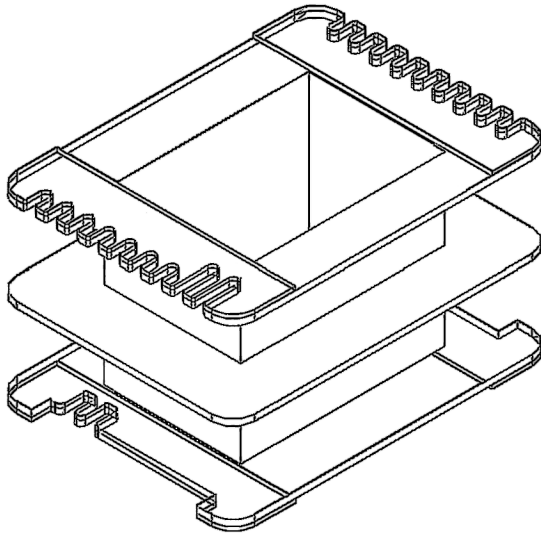


# 东莞市联佳电子塑胶制品有限公司

TEL:0769-6639029 FAX:0769-6639039



|                          |  |          |                                   |         |
|--------------------------|--|----------|-----------------------------------|---------|
| 编号: 211450W01            |  | SCALE:   | TDLERANCE UNLESS OTHERWISE STATED | CHECK   |
| BOBBIN SIZE:EI-114×50 王字 |  | UNIT:mm  | 0<L≤4 ±0.1                        | DRAW    |
| MATERIAL:PA66            |  |          | 4<L≤16 ±0.2                       | REV: 01 |
| UL REC:UL94V-2           |  | DRAWING: | 16<L≤63 ±0.3                      |         |