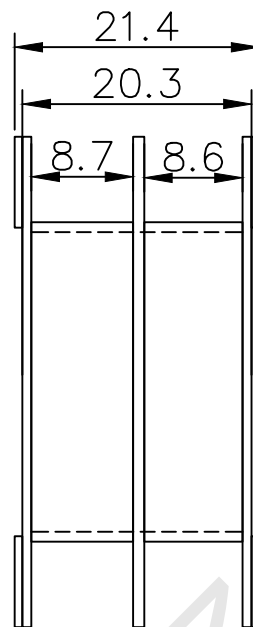
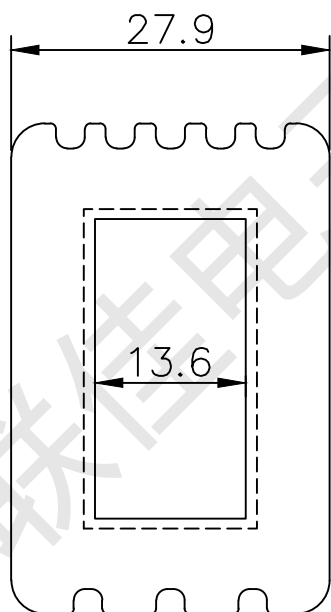
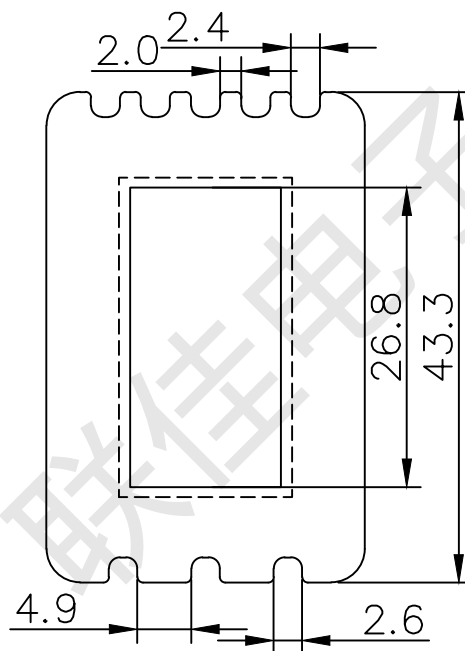
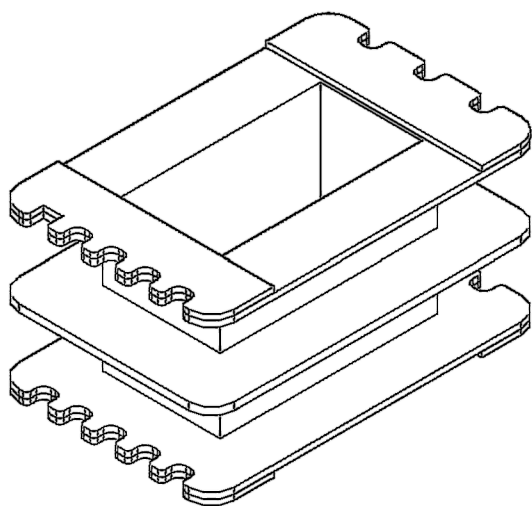


东莞市联佳电子塑胶制品有限公司

TEL: 0769-86639029 FAX: 0679-86639039



编号: 24126W01		SCALE:	TDLERANCE UNLESS OTHERWISE STATED	CHECK
BOBBIN SIZE: EI-41×26.5 王字		UNIT: mm	0 < L ≤ 4 ±0.1	DRAW
MATERIAL: PA66			4 < L ≤ 16 ±0.2	
UL REC: UL94V-2	DRAWING:	16 < L ≤ 63 ±0.3	REV: 01	DRTE: