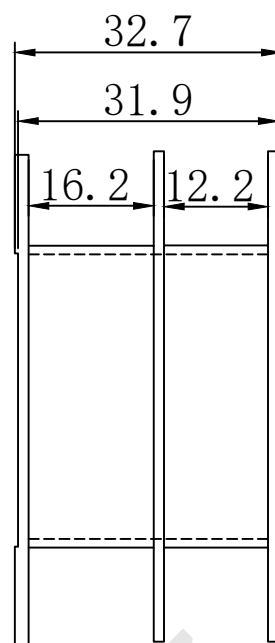
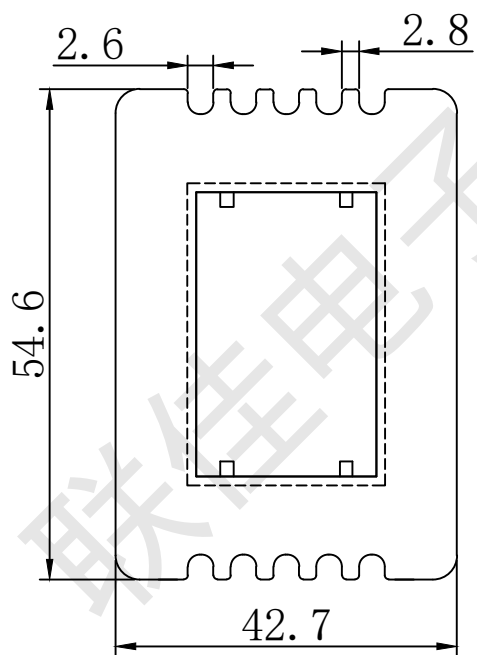
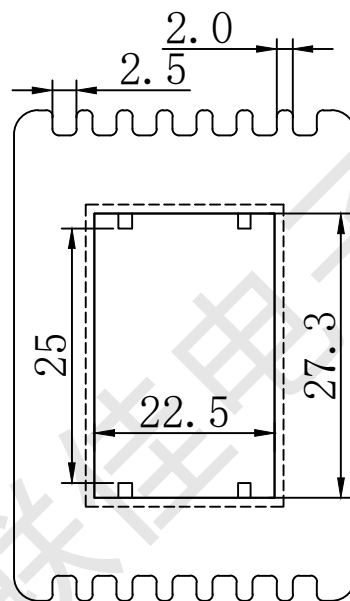
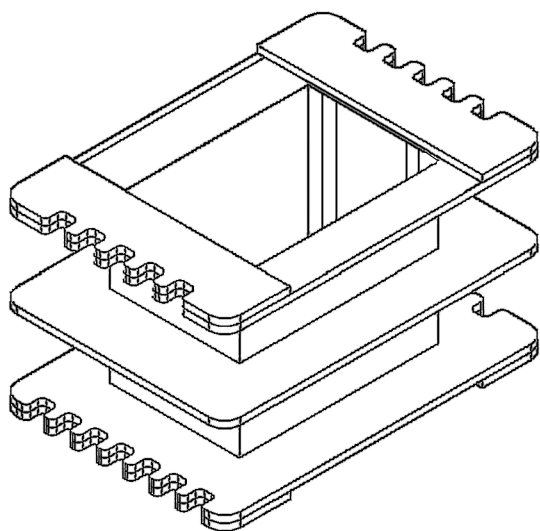


# 东莞市联佳电子塑胶制品有限公司

TEL:0769-86639029

FAX:0769-86639039



编号: 26625W02

BOBBIN SIZE: EI-66×25 加筋王字

MATERIAL: PA66

UL REC: UL94V-2

SCALE:

TDLERANCE UNLESS  
ORHERWISE STATED

CHECK

UNIT: mm

0 < L ≤ 4 ±0.1  
4 < L ≤ 16 ±0.2  
16 < L ≤ 63 ±0.3

DRAW

DRAWING:

REV:  
01

DRTE: