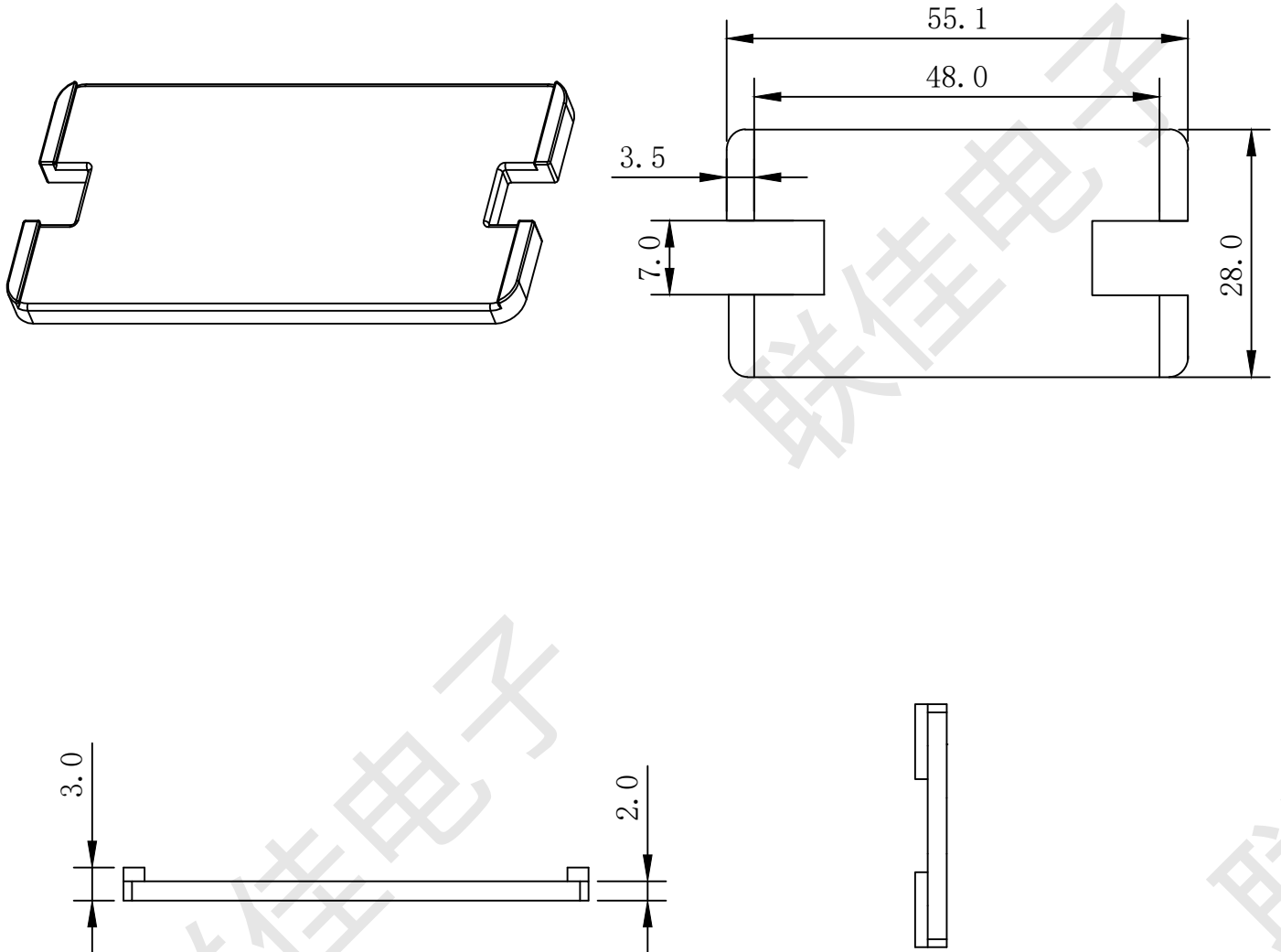


# 东莞市联佳电子塑胶制品有限公司

TEL:0769-86639029 FAX:0769-86639039



编号: 4552803D1	SCALE:	TDLERANCE UNLESS OTHERWISE STATED	CHECK	
BOBBIN SIZE: 55*28*3.0 防震垫片	UNIT: mm	0 < L ≤ 4 ±0.1	DRAW	
MATERIAL: PPS		4 < L ≤ 16 ±0.2	REV:	DRTE:
UL REC: UL94V-0	DRAWING:	16 < L ≤ 63 ±0.3	01	