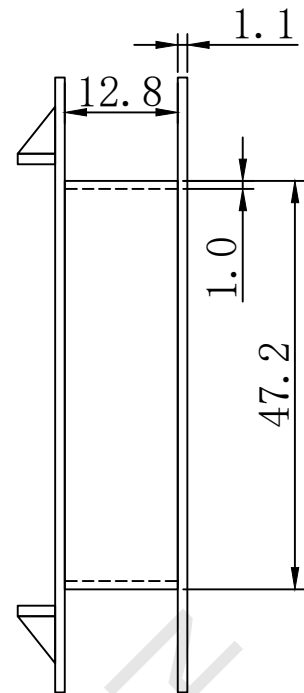
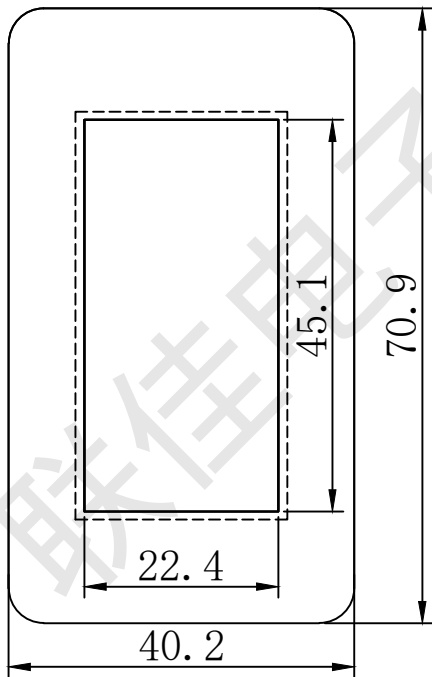
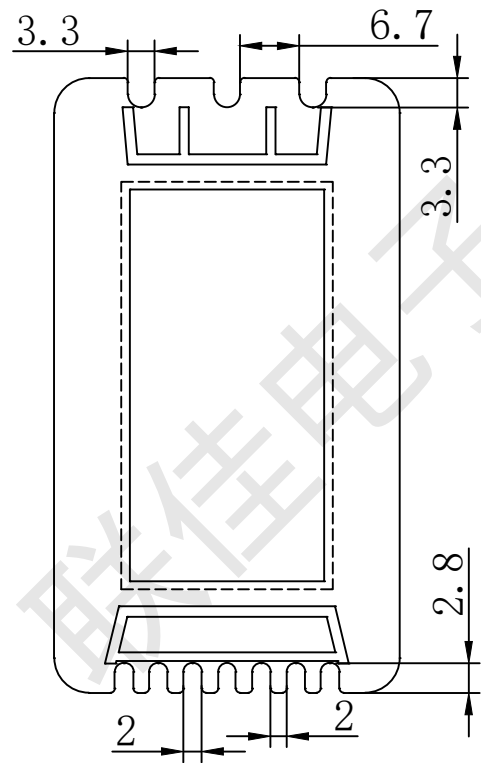
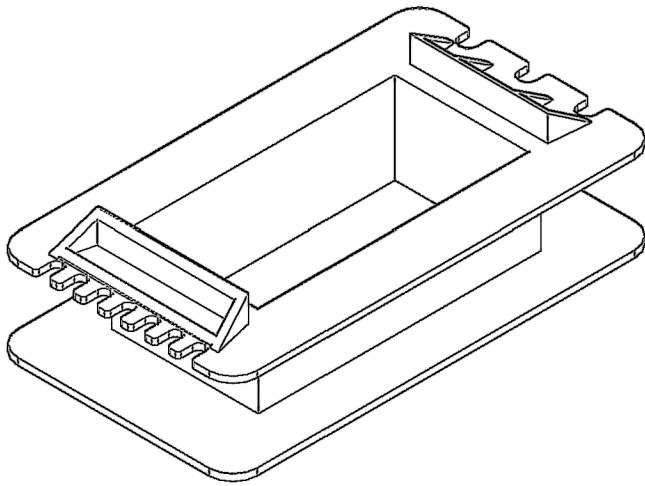


东莞市联佳电子塑胶制品有限公司

TEL:0769-6639029

FAX:0769-6639039



编号: 16645X01

BOBBIN SIZE: EI-66×45 芯 3+7

MATERIAL: PA66

UL REC: UL94V-2

SCALE: TDLERANCE UNLESS OTHERWISE STATED

UNIT: mm

DRAWING:

0 < L ≤ 4 ±0.1
4 < L ≤ 16 ±0.2
16 < L ≤ 63 ±0.3

CHECK

DRAW

REV: 01 DRTE: