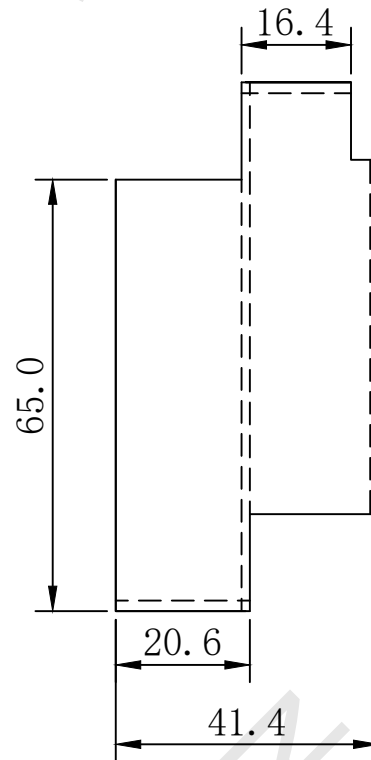
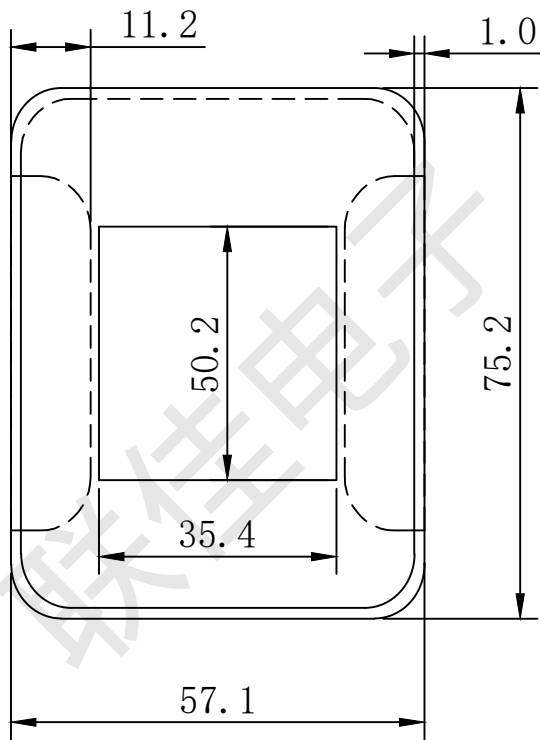
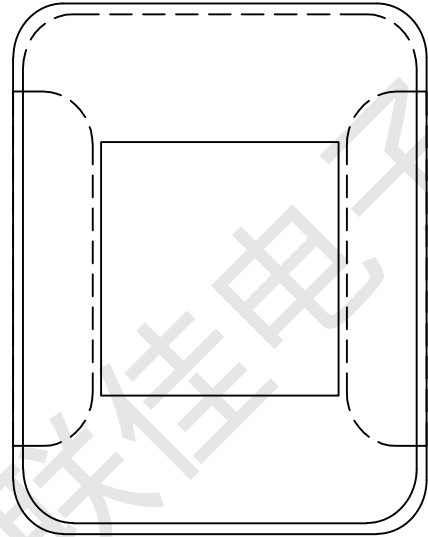
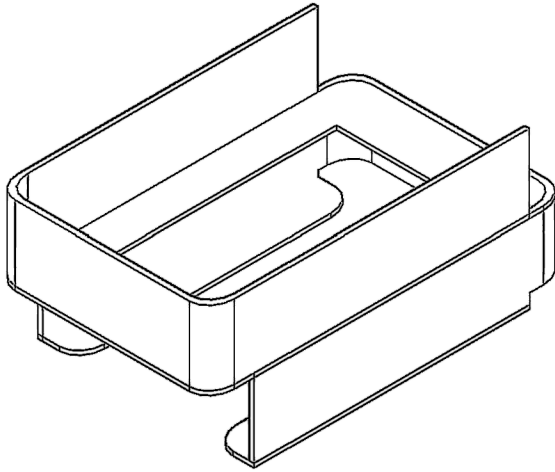


# 东莞市联佳电子塑胶制品有限公司

TEL:0769-86639029 FAX:0769-86639039



编号: 18643T01

SCALE:

TDLERANCE UNLESS  
ORHERWISE STATED

CHECK

BOBBIN SIZE:EI-86×43 VDE 套

UNIT:mm

0 < L ≤ 4 ±0.1  
4 < L ≤ 16 ±0.2  
16 < L ≤ 63 ±0.3

DRAW

MATERIAL:PA66

UL REC:UL94V-2

DRAWING:

REV:  
01

DRTE: