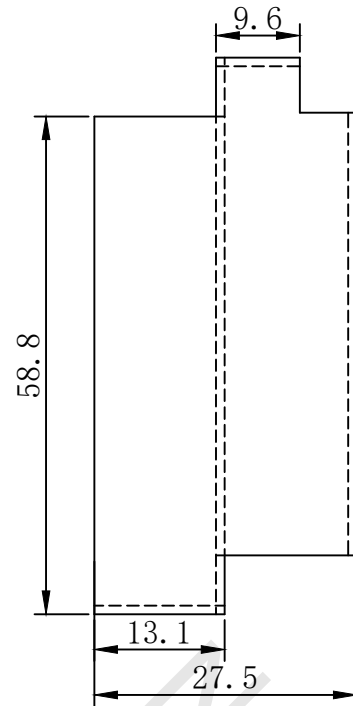
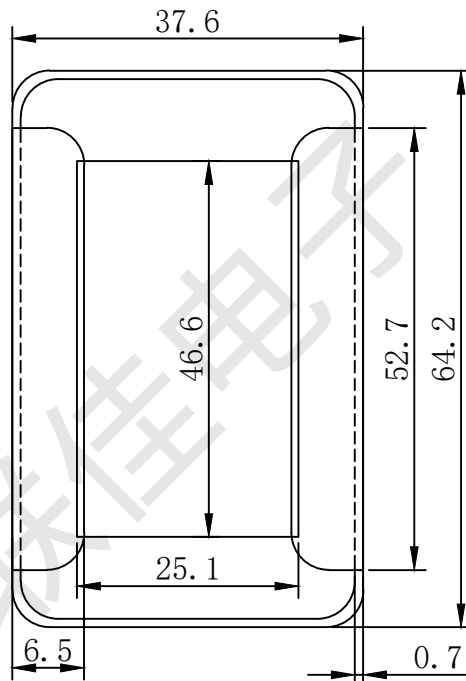
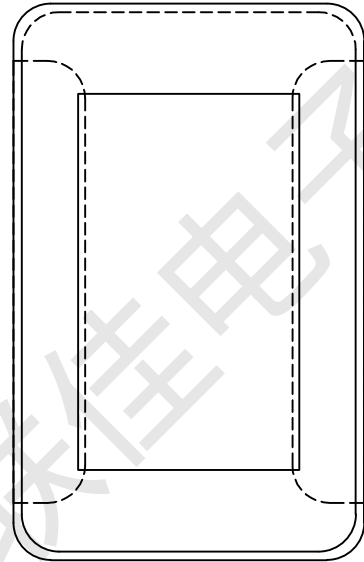
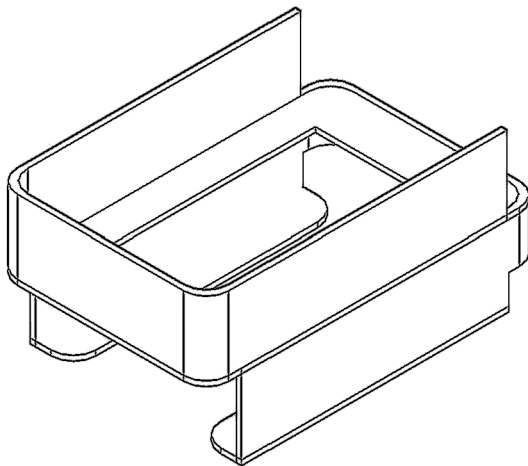


# 东莞市联佳电子塑胶制品有限公司

TEL:0769-86639029

FAX:0769-86639039



编号: 15738T01

BOBBIN SIZE: EI-57×38 VDE 套

MATERIAL: PA66

UL REC: UL94V-2

SCALE:

TDLERANCE UNLESS  
ORHERWISE STATED

CHECK

UNIT: mm

0 < L ≤ 4 ±0.1

DRAW

4 < L ≤ 16 ±0.2

16 < L ≤ 63 ±0.3

REV: DRTE:

DRAWING:

01